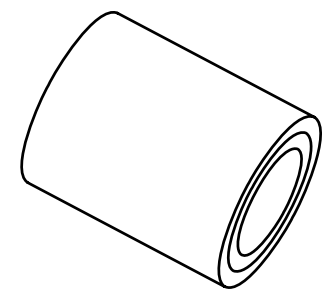


**Robert Silman Associates, PLLC**

***Metro Can-O-Peas***

Can-O-Peas stop the wind  
 Can-O-Peas stop the rain  
 Can-O-Peas stop the hunger  
 Can-O-Peas stop the pain

Come on down and take a ride  
 To fight hunger far and wide



**Design/Build Team:** Kathryn Morrical - Captain  
 Jennifer Barrington  
 Jill Kaup  
 Dipa Makim  
 Michael Weinert

**With special thanks to:**

John Dumsick  
 Kent Hulet  
 Sabrina Moran  
 Luis Laso  
 Kristin Potterton

